



Back Plate Quotation Specification

CUSTOMER INFORMATION

Customer Name: _____
Company Name: _____
Company Address: _____
Contact Phone Number: _____
Contact Fax Number: _____
Contact Email Address: _____

BASIC FURNACE INFORMATION

Furnace Type: _____
Wafer Size: _____
Quartz Tube Size (ID/OD in MM): _____
Quartz Liner Size (ID/OD in MM): _____
Process Type: _____
Qty of Back Plates to be Quoted: _____

VACUUM FLANGE INFORMATION

Flange Part Number: _____
Flange Manufacturer: _____
Basic Flange Size (ID/OD in MM): _____

Below you will find a basic drawing for a back plate used on a rear vacuum flange. Please make a simple sketch of components on your current or existing back plate that you would like us to quote or duplicate. The more detail you are able to give us, the faster we can determine your requirements and forward your quotation.

Vacuum ports are available in KF, ISO, and Ball Joint configurations. Profile TC, Gas Inlet/Injector fittings are available in Swagelok VCR®, VCO®, Ultra-Torr®, tube, pipe seal, ball joint, and ball socket fittings.

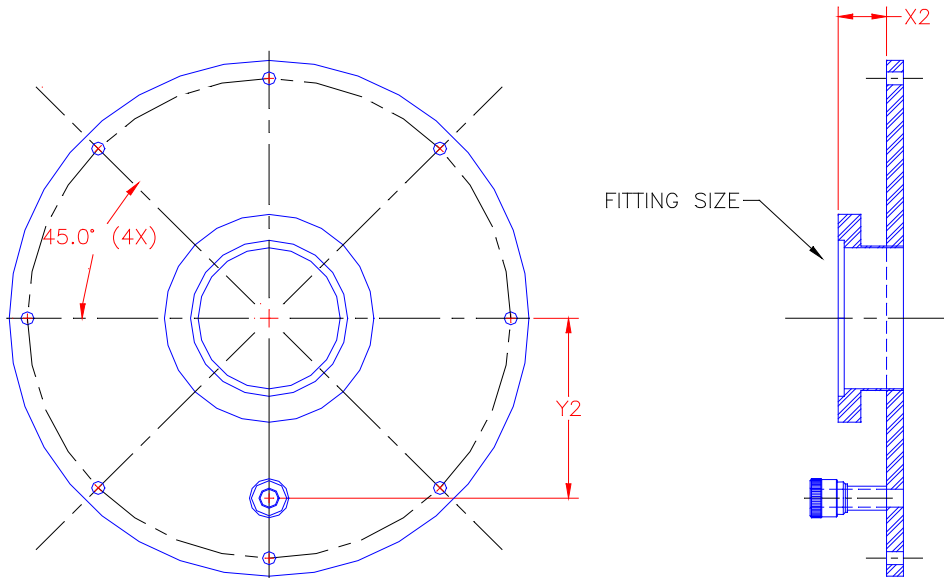


211 N. Dooley Street
Grapevine, Texas 76051-6247
Phone: 817-527-6084
Email: sales@invacsystems.com
www.invacsystems.com

Back Plate Quotation Specification

BACK PLATE DRAWING

Sketch Ultra-Torr Fittings, Water lines, Gas Lines, etc...



BACK PLATE SPECIFICATION

Vacuum Port Size:		X2:		
Injector/Profile TC Port #1:	Y2:	Size:		
Injector/Profile TC Port #2:	Y2:	Size:		
Injector/Profile TC Port #3:	Y2:	Size:		
Angle between Port 1 & 2:				
Angle between Port 2 & 3:				
Other:	Location:	Size:		
Other:	Location:	Size:		
Engrave Process Type:	POLY	POLY-L TEOS	NIT TEOS-L	NIT-L

Please send specification to INVAC Systems for review by Engineering. A quote will be forwarded in 5-10 business days upon receipt of specification.